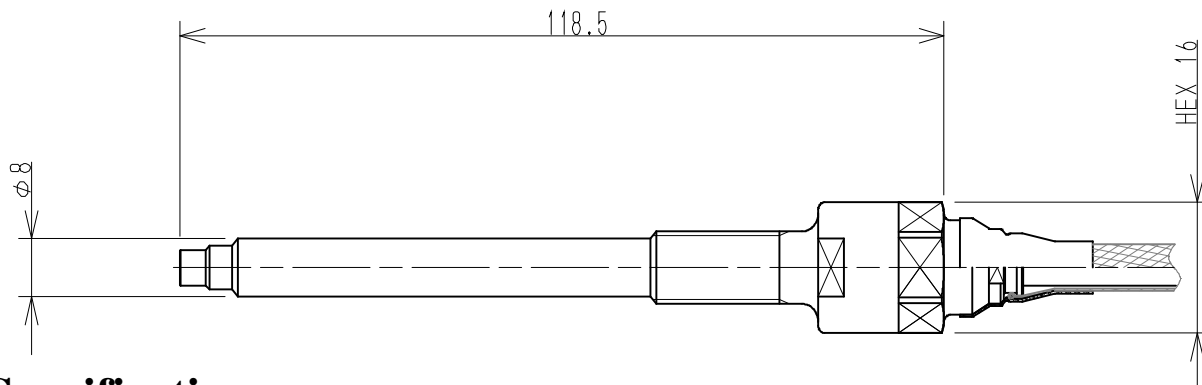


Combustion Pressure Sensor (In-vehicle use)

Type CAS-30 Series

Application Gasoline engine

Features Direct installation / With built-in amplifier



Specification

	Unit	Specifications
Type		CAS-30
Measuring range	MPa	0~25
Sensitivity	pC/MPa	-
Linearity	%FSO	$\leq \pm 1.0$
Natural frequency	KHz	> 140
Insulation resistance	Ω	$\geq 10^{13}$
Operating range	$^{\circ}\text{C}$	~ 350
Cable connection	mm	M10×1.0
Cooling		Non-cooling
Cable		Low noise cable for exclusive use

※CAS-30

- Accuracy is different depending on the installation method.
- Please inquire the method of connecting the sensor and the connector.

CONTACT

CITIZEN FINEDEVICE CO.,LTD.
Sales and Administration Section CPS Department
URL;<http://cfid.citizen.co.jp>