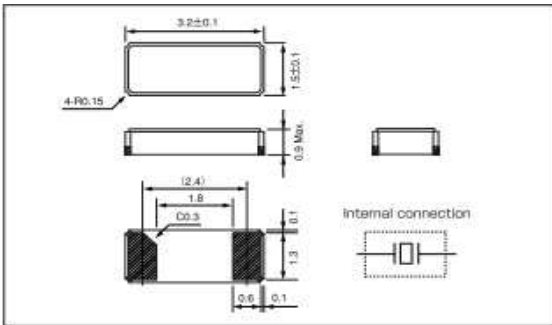
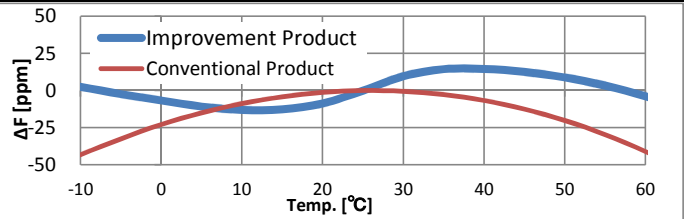


CM315G / Temperature characteristics improvement product



TUNING FORK CRYSTAL UNIT



Standard Specification

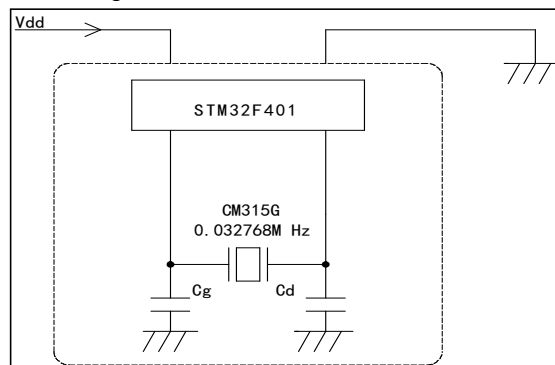
Nominal Frequency	kHz	32.768
Load Capacitance/CL	pF	6/7/9/12.5
Frequency Tolerance	ppm	+/-20
Operatating Temperature Range	°C	-40 to +85
Storage Temperature Range	°C	-55 to +125
Motional Resistance	Ω	50k Max
Level of drive	uW	1 uW max.
Insulation Resistance	MΩ	500 Min. (at DC100+/-15V)

Investigation Report of Oscillation Circuit

*USB/at 25°C

IC		ST MICRO / STM32F401 (PWB:NVCLEO-F401RE)	
CRYSTAL		CM315G	
Nominal Frequency	kHz	32.768	
Laod Capacitance	pF	6	
Cg,Cd	pF	8	8
Negative Resistance (-R)	ohm	400K	
Drive Level	μW	0.1	

* Our Recommendable Negative Resistance Value : over 300k ohm



※Matching is ONLY for reference.

It is related to the current board configuration and any changes on the boards and crystal spec is under customer's responsibility.

CITIZEN FINEDEVICE CO., LTD. /MIYOTA PLANT
 Crystal Devices Division

4107-5 Miyota Miyota-machi Kitasaku-gun
 Nagano 3890295 Japan
 TEL) +81-267-31-1111
<http://cfd.citizen.co.jp/index.html>