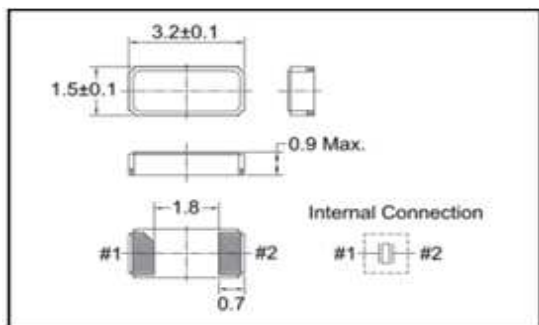


# CM315DL



## TUNING FORK CRYSTAL UNIT

- Tuning fork crystal with ceramic packaged SMD type for **low current consumption IC.**
- **Reduced motional resistance by 30%** compared with existing model.
- Most appropriate for portable devices, mobile telecommunication devices and wearable devices.

## Standard Specifications

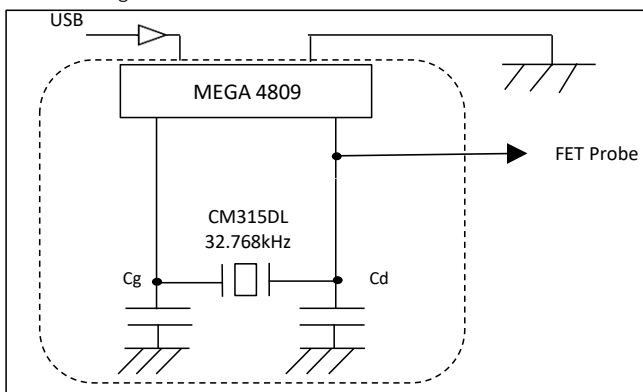
Nominal Frequency	kHz	32.768
Load Capacitance/CL	pF	6/7/9/12.5
Frequency Tolerance	ppm	+/-20
Operating Temperature Range	°C	-40 to +85
Storage Temperature Range	°C	-55 to +125
Motional Resistance	Ω	<b>50k Max</b>
Level of drive	uW	1 uW max.
Insulation Resistance	MΩ	500 Min. (at DC100+/-15V)

## Investigation Report of Oscillation Circuit

\*USB/at 25°C

IC	MICRO CHIP / MEGA 4809	
	(PWB:A09-3206/07)	
CRYSTAL	CM315DL	
Nominal Frequency	kHz	32.768
Load Capacitance	pF	7
Cg,Cd	pF	2   3
Negative Resistance (-R)	ohm	<b>360K</b>
Drive Level	μW	0.1

\* Our Recommendable Negative Resistance Value : over 200k ohm



※Matching is ONLY for reference.

It is related to the current board configuration and any changes on the boards and crystal spec is under customer's responsibility.