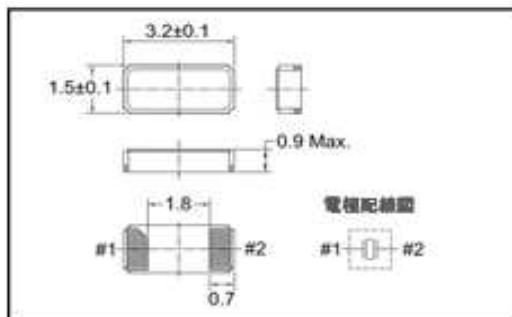


CM315H



TUNING FORK CRYSTAL UNIT

- Tuning fork crystal with ceranic packaged type.
- High-density SMD type.
- AEC-Q200 Qualified
- High reliable performance
- Applications: Automotive (※ Non-safety applictions)
Industrial / Medical (※Non-life dependent)

Standard Specification

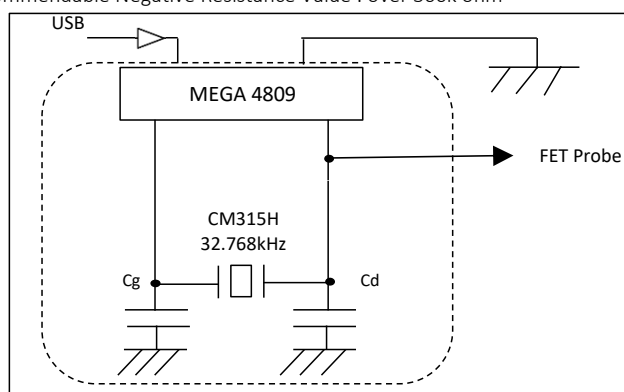
Nominal Frequency	kHz	32.768
Load Capacitance/CL	pF	6/7/9/12.5
Frequency Tolerance	ppm	+/-20
Operatating Temperature Range	°C	-40 to +85
Storage Temperature Range	°C	-55 to +125
Motional Resistance	Ω	90k Max
Level of drive	uW	1 uW max.
Insulation Resistance	MΩ	500 Min. (at DC100+/-15V)

Investigation Report of Oscillation Circuit

*USB/at 25°C

IC		MICRO CHIP / MEGA 4809 (PWB:A09-3206/07)	
CRYSTAL		CM315H	
Nominal Frequency	kHz	32.768	
Laod Capacitance	pF	7	
Cg,Cd	pF	3	3
Negative Resistance (-R)	ohm	320k	
Drive Level	μW	0.1	

* Our Recommendable Negative Resistance Value : over 300k ohm



※Matching is ONLY for reference.

It is related to the current board configuration and any changes on the boards and crystal spec is under customer's responsibility.

CITIZEN FINEDEVICE CO., LTD. /MIYOTA PLANT
Micro Devices Division

4107-5 Miyota Miyota-machi Kitasaku-gun
Nagano 3890295 Japan
TEL) +81-267-31-1111
<https://cfd.citizen.co.jp/>