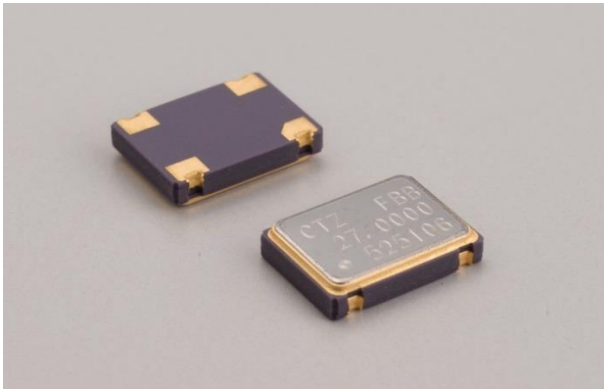


## CRYSTAL CLOCK OSCILLATORS (SMD · Ceramic Package)

RoHS compliant

# CSX-750F

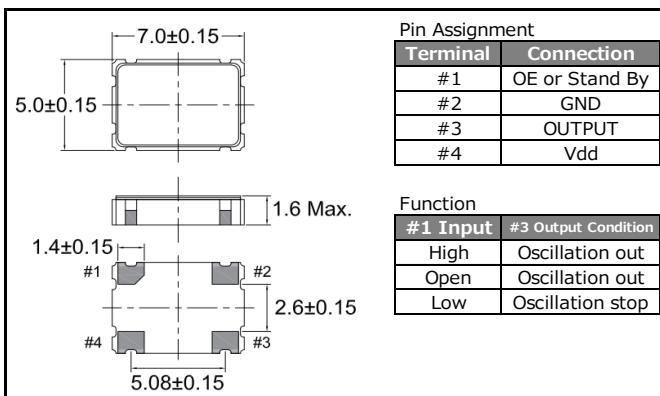
1,000pcs/reel



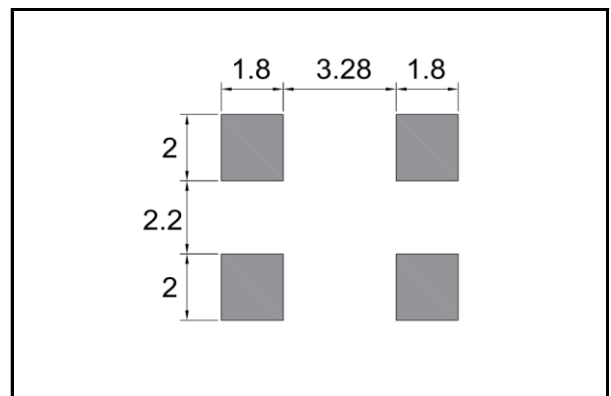
### FEATURES

- Frequency range : 40.0 ~ 80.0MHz
- External dimensions (mm)  
L : 7.0 x W : 5.0 x H : 1.6
- Applications  
Consumer products

### DIMENSION [mm]



### SOLDER PAD LAYOUT [mm]

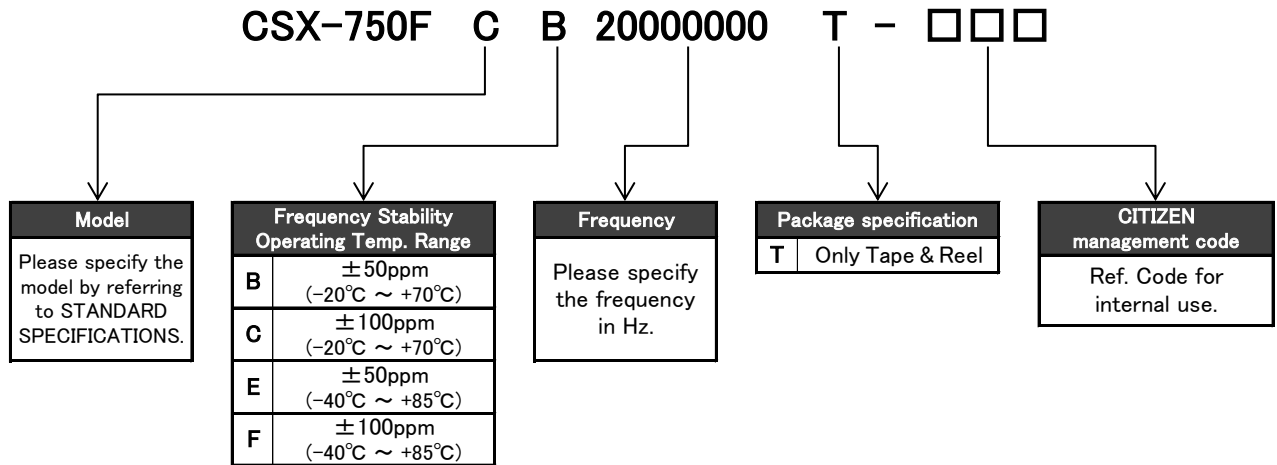


### STANDARD SPECIFICATIONS

\*Model is determined by selection of OE/ST functions, frequency stability, and supply voltage.

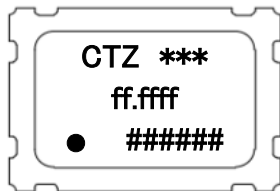
Item	Model	OE	CSX-750FC (*)	CSX-750FJ (*)
		STAND-BY		
Frequency Range			40.000~75.000MHz	40.000~80.000MHz
Supply Voltage			Vdd: 5.0V ± 0.5V	Vdd: 3.3V ± 0.3V
Frequency Stability		(*)	B: ±50ppm (-20°C ~ +70°C), C: ±100ppm (-20°C ~ +70°C) E: ±50ppm (-40°C ~ +85°C), F: ±100ppm (-40°C ~ +85°C)	
Operating Temperature Range			-20°C ~ +70°C / (-40°C ~ +85°C)	
Storage Temperature Range			-55°C ~ +125°C	
Current consumption			45mA Max.	25mA Max.
Duty	TTL level (1.4V)		40~60%	—
	CMOS level (1/2 Vdd)			45~55%
Output Voltage	V <sub>OH</sub>		0.9V <sub>dd</sub> Min.	
	V <sub>OL</sub>		0.4V Max.	0.1V <sub>dd</sub> Max.
Output Load	TTL		10TTL Max.	—
	CMOS		50pF Max.	30pF Max.
Rise and Fall Time			6 nsec Max.	
Start-up time			10 msec Max.	
Input Voltage	V <sub>IH</sub>		2.0V Min.	0.7V <sub>dd</sub> Min.
	V <sub>IL</sub>		0.8V Max.	0.3V <sub>dd</sub> Max.
Disable current			20mA Max.	—
Stand-by current			—	10 μA Max.

## ■ PART NUMBERING SYSTEM



\*Please contact us for specifications available.

## ■ Part Marking [standard]



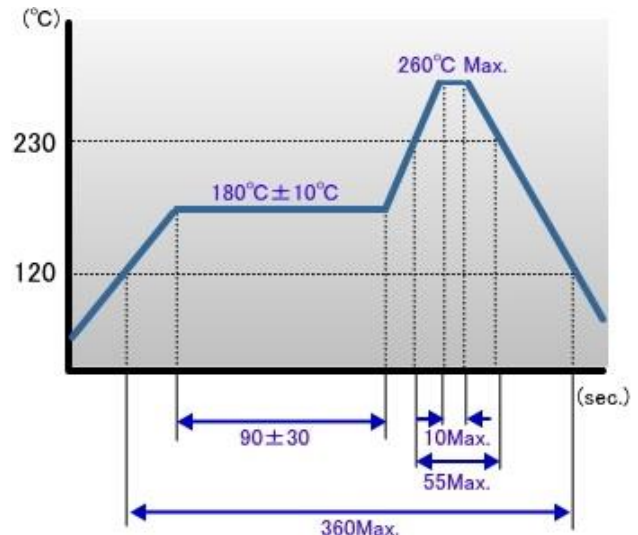
CTZ : Manufacture's ID Code

\* : Model

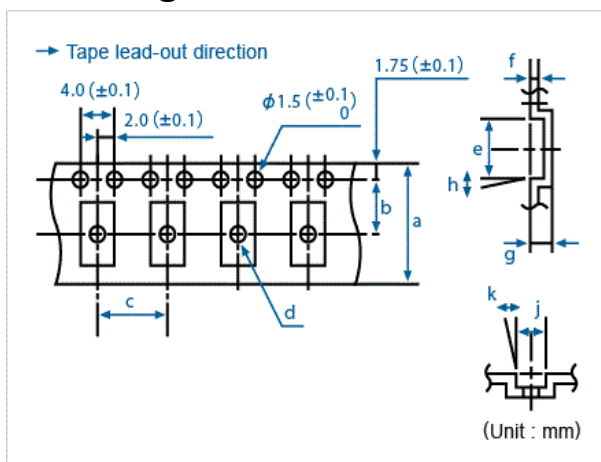
f : Frequency

# : Production Lot No.

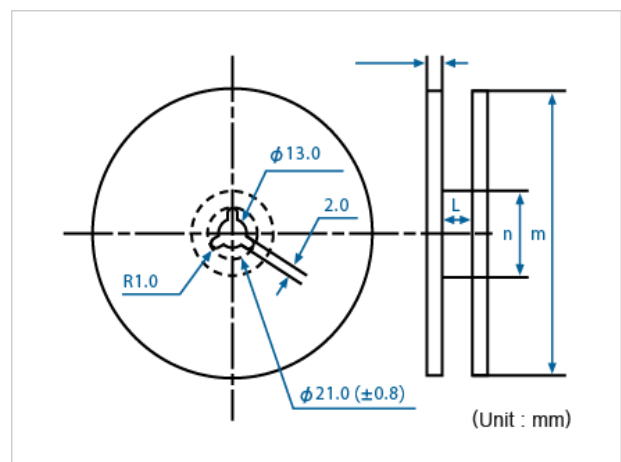
## ■ Reflow profile



## ■ Packing



Conforming to JIS C 0806 TB1208NEIAJ and RC-1009B TE1208N



Conforming to JIS C 0806 R12R and EIAJ RC-1009B R15

Q'ty/reel	a	b	c	d (φ)	e	f	g	h	j	k	l	m (φ)	n (φ)
1,000	16.0	7.5	8.0	1.5	7.4	0.3	1.9	5°	5.4	5°	16.0	180	62

Product specifications are subject to change without notice.

Rev.3