

Combustion Pressure Sensor with high durability

For measurement of high performance engine

Features

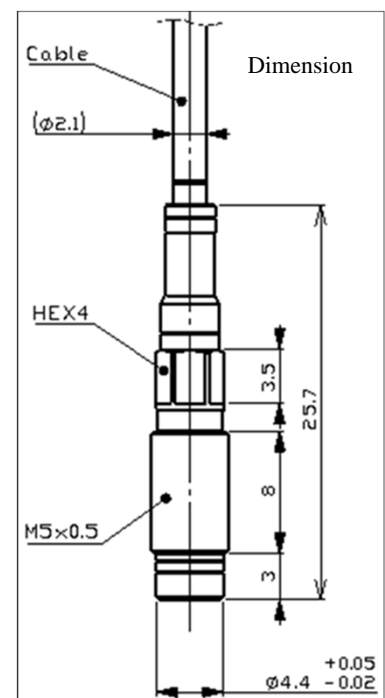
1. Specification that compatible with high pressure durability (400bar) and high sensitivity (-15pC / bar)
2. It can be used for bench measurement of high performance vehicles, supercharged engines, etc
3. High pressure durability and high natural frequency realize the measurement of strong knocking.

Specification

Type	MCX03
Use application	High performance engine etc.
Measuring range	0~40MPa (0~400bar)
Sensitivity	-15pC/bar
Linearity	$\leq \pm 0.5\% \text{FSO}$
Natural frequency	$\geq 120 \text{KHz}$
Insulation resistance	$\geq 10^{13} \Omega$ ※1
Operating range	-40~400°C ※2
Thermal shock error	$\leq \pm 0.5 \text{bar}$
Mounting dimensions	M5×0.5、HEX : 4 (mm)
Cooling	Non-cooling
Mounting torque	1.5Nm

※1. At normal temperature

※2. Temperature of pressure receiving surface



Combustion pressure sensor data

