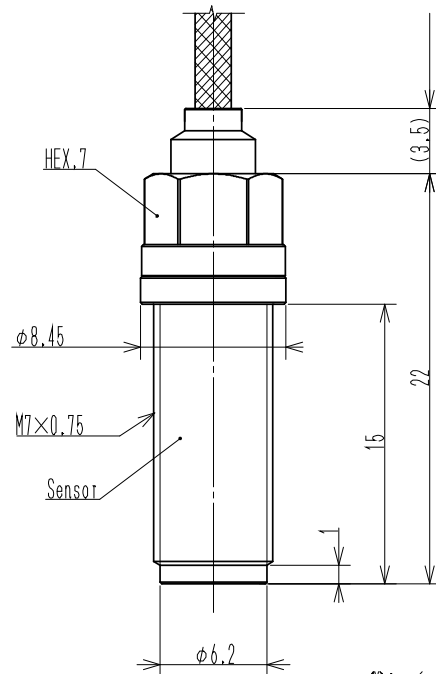


# Combustion Pressure Sensor

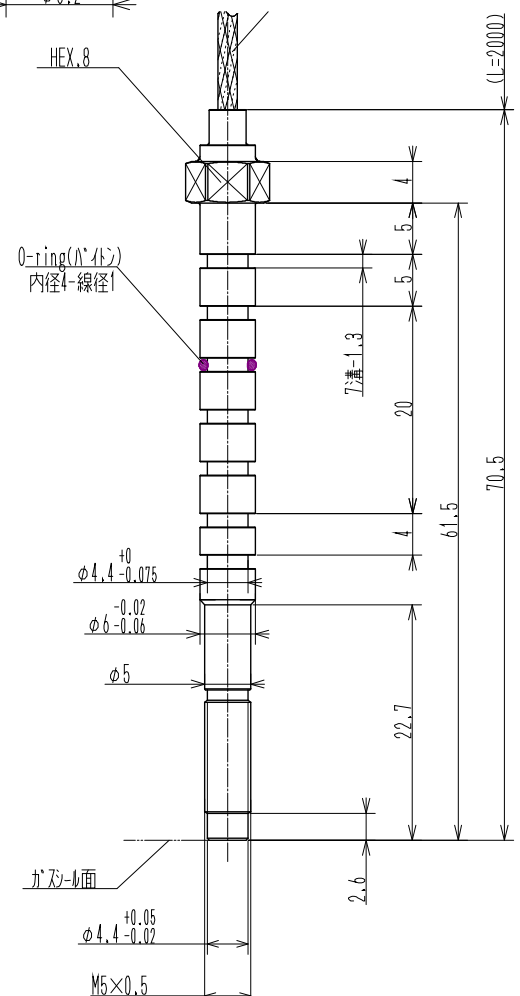
**Type** M7 Type CAS-04

**Application** Measurement



**Type** CAS-05 Series

**Application** Water-cooled engines



## ■ Specification

	Unit	Specifications	
Type		CAS-04	CAS-05
Measuring range	Mpa	0~25	
Sensitivity	pC/Mpa	280	220
Linearity	%FSO	$\leq \pm 0.5$	
Natural frequency	KHz	$> 140$	
Insulation resistance	$\Omega$	$\geq 10^{13}$	
Operating range	$^{\circ}\text{C}$	$\sim 350$	
Cable connection	mm	M7	M5×0.5
Cooling		Non-cooling	
Cable		Low noise cable for exclusive use *2	

\* 1 The size and shape satisfy the demand.

\* 2 The extension cable can be changed in the option.

※ The size of the sensor can be changed.

※ The adaptor installation is also possible.

※ Exclusive amplifier recommended.

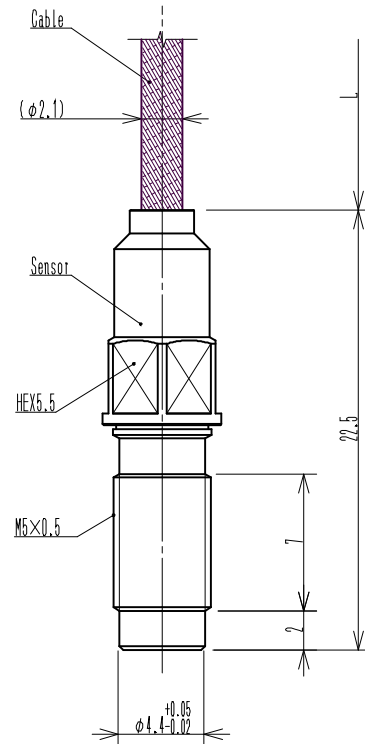
※ The Contents are subject to change and the products in this catalog may discontinue without notice.

## Combustion Pressure Sensor

**Type** M5 Type CAS-15 Series

**Application** Measurement

**Features** Global standard



### Specification

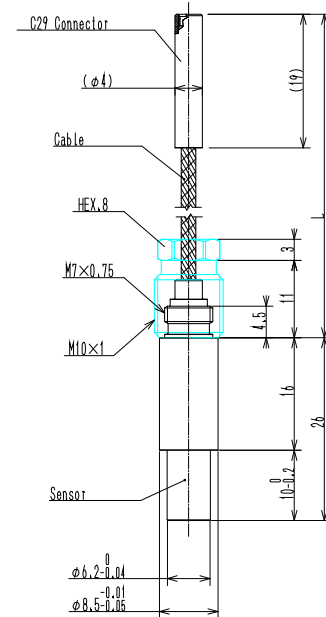
Type	Specifications		
	CAS-15	CAS-15S	CAS-15K/A
Measuring range	0~25MPa (0~250bar)		
Sensitivity	-50pC/MPa (-5pC/bar)	-220pC/MPa (-22pC/bar)	-135pC/MPa (-13.5pC/bar)
Linearity	$\leq \pm 0.5\%$ FSO		
Natural frequency	$> 140\text{KHz}$		
Insulation resistance	$\geq 10^{13} \Omega$		
Operating range	$\sim 350^{\circ}\text{C}$		
Cable connection *1	M5 X 0.5mm		
Cooling	Non-cooling		
Cable	Low noise cable for exclusive use		
Mounting torque	1.5Nm		

※CAS-15A:HEX4

# Combustion Pressure Sensor

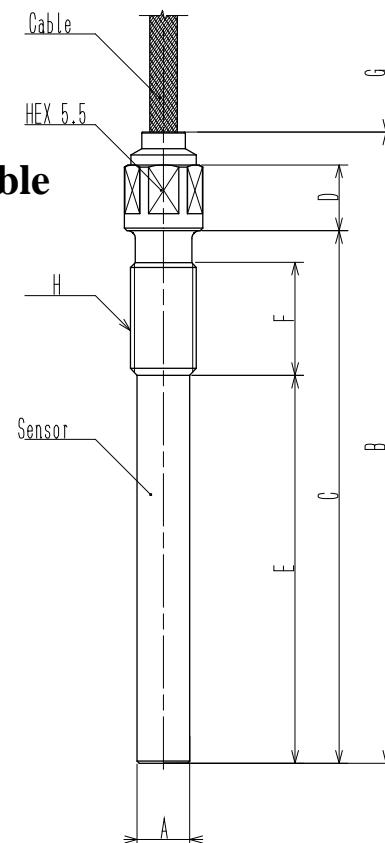
**Type** CAS-16

**Application** Measurement of large-sized engines including cogeneration



**Type** CAS-17

**Application** Measurement use  
The plug insertion is possible  
※ Please inquire the size.



## ■ Specification

	Unit	Specifications	
Type		CAS-16	CAS-17
Measuring range	Mpa	0~25	
Sensitivity	pC/Mpa	-270	-170
Linearity	%FSO	$\leq \pm 0.5$	
Natural frequency	KHz	$> 140$	
Insulation resistance	$\Omega$	$\geq 10^{13}$	
Operating range	$^{\circ}\text{C}$	$\sim 350$	
Cable connection	mm	M10×0.5	M5×0.5
Cooling		Non-cooling	
Cable		Low noise cable for exclusive use *2	

\* 1 The size and shape satisfy the demand.

\* 2 The extension cable can be changed in the option.

※ The size of the sensor can be changed.

※ The adaptor installation is also possible.

※ Exclusive amplifier recommended.

※ The Contents are subject to change and the products in this catalog may discontinue without notice.

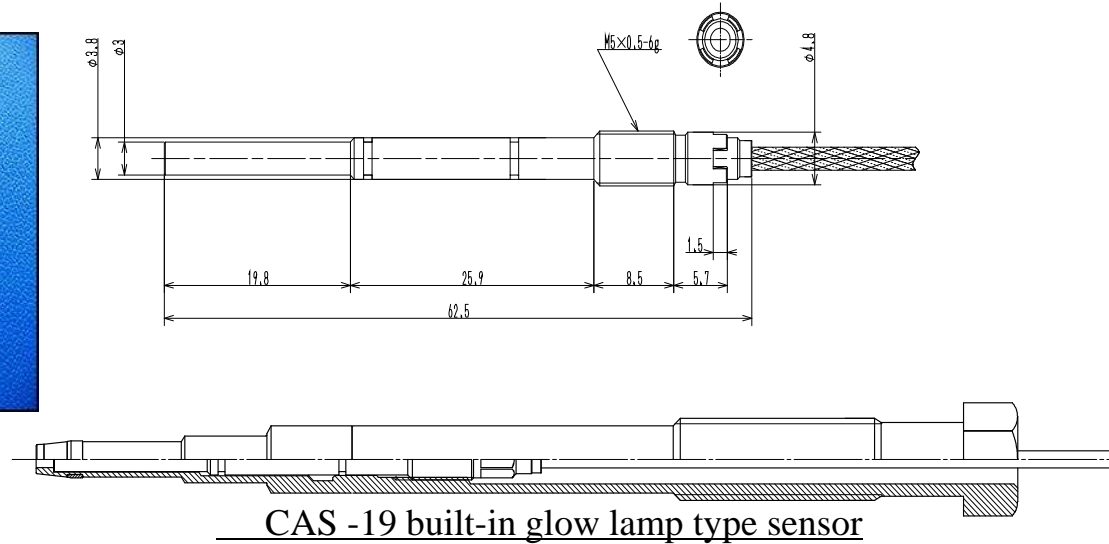


# Combustion Pressure Sensor

**Type**  $\phi 3$  Type CAS-19

**Application** Measurment

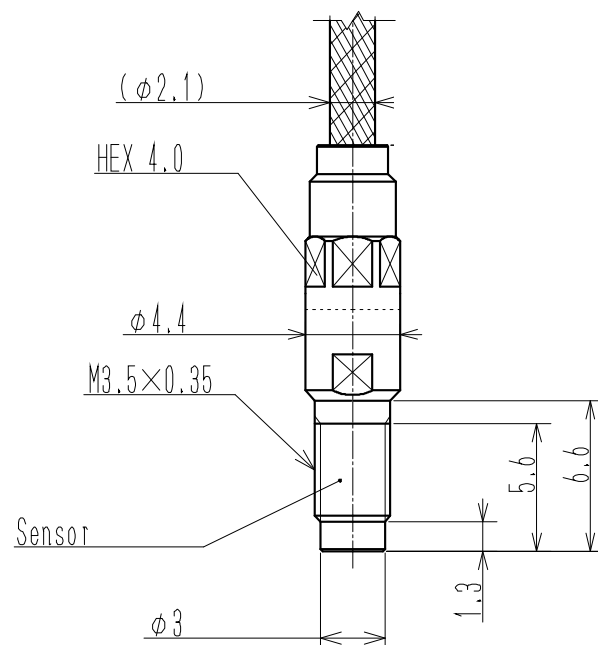
**Features** Super extra-fine / Combined with Adapters



**Type** M3.5 Type CAS-23

**Application** Measurment

**Features** Very small screw type / Combined with Adapters



## ■ Specification

	Unit	Specifications	
		CAS-19	CAS-23
Type		CAS-19	CAS-23
Measuring range	Mpa	0~25	
Sensitivity	pC/Mpa	100	
Linearity	%FSO	$\leq \pm 0.5$	$\leq \pm 0.7$
Natural frequency	KHz	> 140	
Insulation resistance	$\Omega$	$\geq 10^{13}$	
Operating range	$^{\circ}\text{C}$	~350	
Cable connection	mm	M5×0.5	M3.5×0.35
Cooling		Non-cooling	
Cable		Low noise cable for exclusive use *2	

\* 1 The size and shape satisfy the demand.

\* 2 The extension cable can be changed in the option.

※ The size of the sensor can be changed.

※ The adaptor installation is also possible.

※ Exclusive amplifier recommended.

※ The Contents are subject to change and the products in this catalog may discontinue without notice.

**CONTACT**  
**CITIZEN FINEDEVICE CO.,LTD.**  
**Sales and Administration Section**  
**CPS Department**  
**URL;<http://cfid.citizen.co.jp>**